



## INFORMACIÓN DEL PRODUCTO

Modelo:K56AC50F07  
2HP, 1 Ph, 60 Hz, 110/220V, 3600 RPM,  
Frame K56, ODP





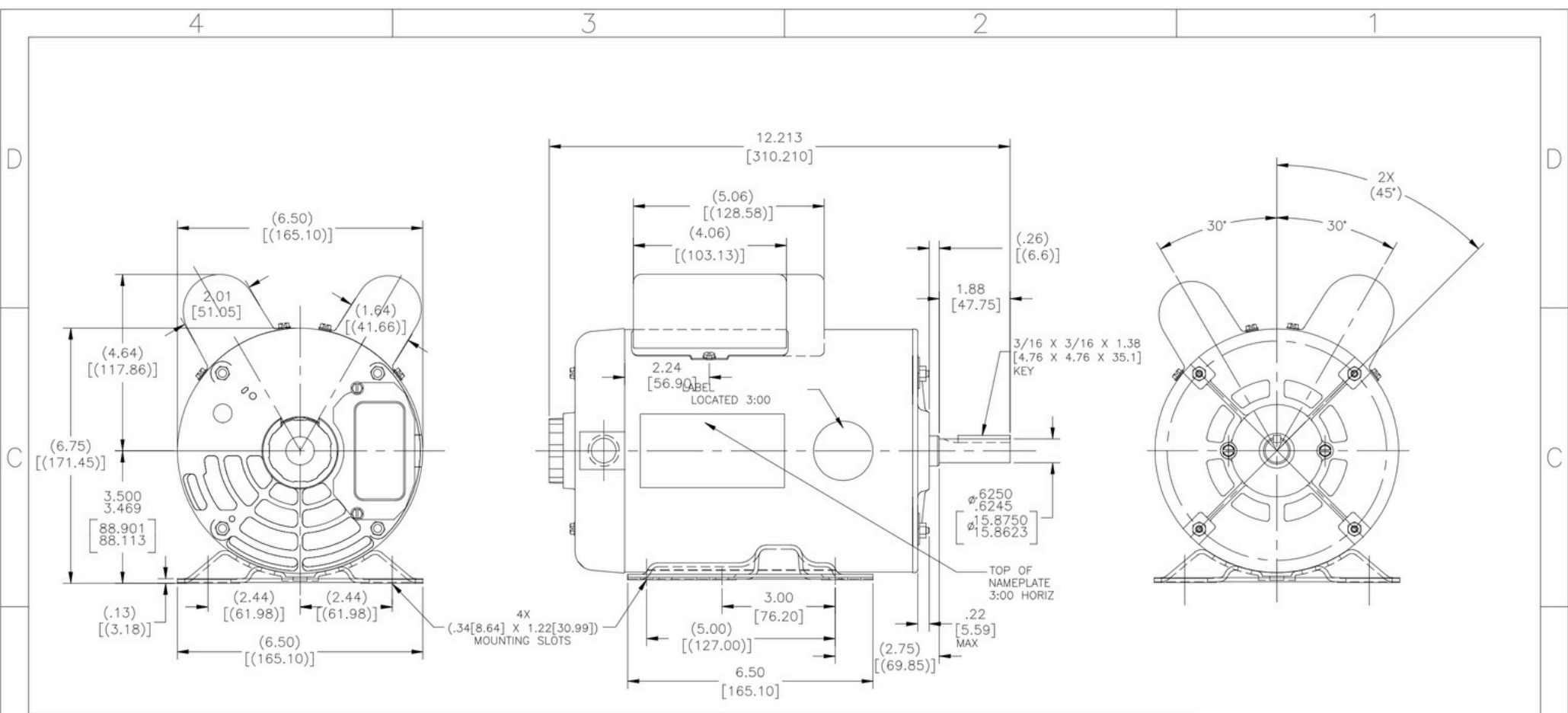
## Detalles de la Placa de Identificación

Fase	1	Potencia de Salida (HP)	2 HP
Potencia de Salida (kW)	1.5 kW	Voltaje	110/220V
Velocidad	3600 RPM	Factor de Servicio	1,15
Frame	K56	Tipo de Carcasa	Semiabierta (ODP)
Protección Térmica	No	Temperatura Ambiente	40° C
Frecuencia	60 Hz	Corriente full carga @110V	21.87 AMPS
Régimen de trabajo	Continuo	Clase de Aislamiento	Clase B
Certificación UL	Sí	Certificación CSA	Sí
Certificación CE	Sí		

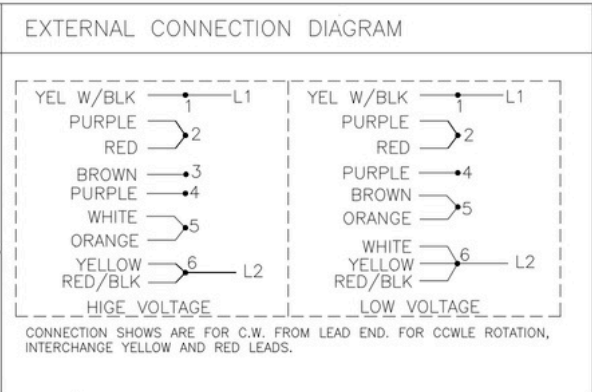
## Especificaciones Técnicas

Tipo	Eléctrico	Método de arranque	Eléctrico
Polos	2	Dirección de rotación	Ambos sentidos
Montaje	Base resiliente	Tipo de eje	Eje cuña

Información del producto: Modelo:K56AC50F07, 2 HP, 1 Ph, 60 Hz, 110/220V, 3600 RPM, Frame K56, ODP



NAMEPLATE DATA	
MODEL: K56AC50F07	
CUST PN: ...	
HP: 2.0	SF: 1.15
ROT: REV.	
RPM: 3450	
TYPE: CP	CODE: -
FORM: KHH	FRAME: K56
VOLTS: 110-127/208-230	
AMPS: 21.87-22.93/10.29-10.93	
MAX AMPS: ---	
SF AMPS: 22.94-24.9/11.17-12.03	
PH: 1	HZ: 60
INS: F	AMB: 40
DUTY: CONT	
ENCLOSURE: IP21	
NO THERMALLY-PROTECTED	



**NOTES**

ALL DIMENSIONS SHOWN IN PARENTHESIS ARE REFERENCE DIMENSIONS. ALL OTHER DIMENSIONS ARE TOLERANCED PER THE FOLLOWING CHART UNLESS OTHERWISE SPECIFIED.

"C" DIM. = ±.055[1.397]  
 SHAFT EXT. = ±.034[.864]  
 LEAD LENGTHS EXTENDED = ±1.00[25.40]  
 EXTENDED THURBOLTS = ±.050[1.270]

THE LEAD ASSY SHOULD TO COME CONNECTED AT 110V. IF THE CUSTOMER NEEDS TO SWITCH TO 220V, HE/SHE WILL OPEN THE COVER AND SWITCH IT MANUALLY, FOLLOWING THE ELECTRICAL DIAGRAM.

PERFORMANCE CURVE		APPROVED SAMPLE	
		OER-007994	
UL COMPONENT		CSA	
FILE#	CCN#	FILE#	GUIDE#
---	---	---	---
CUSTOMER		RBM	

DRAWING REVISION	REVISION BY	DATE	TOLERANCES UNLESS OTHERWISE SPECIFIED
D	MINJING JIANG	09-26-2017	DEC. INCH mm ANGLE
ECO	APPROVED BY	DATE	.XX ±0.1 [±2.5] ±0.5°
ECO-0131232	QINGFENG.HE	09-26-2017	.XXX ±0.005 [±0.127]
ECO DESCRIPTION			.XXXX ±0.0005 [±0.0127]
UPDATE EXTERNAL CONNECTION DIAGRAM			REMOVE BURRS & BREAK SHARP EDGES .003/.015 L076/3811
CORPORATE REGAL BELLOI AMERICA, INC. ALL RIGHTS RESERVED. PROPRIETARY AND CONFIDENTIAL INFORMATION - THIS DOCUMENT IS THE PROPERTY OF REGAL BELLOI AMERICA, INC. AND/OR ANY PART OF IT. SHALL NOT BE DISCLOSED TO ANY PERSON, CORPORATION OR OTHER ENTITY, DUPLICATED, AND/OR USED, EXCEPT AS EXPRESSLY APPROVED IN WRITING BY OWNER. THIS DOCUMENT SHALL BE RETURNED TO OWNER UPON REQUEST. IT MAY BE SUBJECT TO CERTAIN RESTRICTIONS UNDER APPLICABLE EXPORT CONTROL LAWS AND REGULATIONS.			CORNER FILLETS .02 L511
			MACHINED SURFACES $\frac{125}{\mu\text{m}}$ $\frac{32}{\text{INCH}}$ $\frac{32}{\text{mm}}$
			mm SHOWN IN [BRACKETS]

DRAWN BY:		REGAL™ Regal Beloit America, Inc.	
XIAN		DESCRIPTION	
DATE: 09-22-2015		MODEL-PFHP-56FR OUTLINE	
APPROVED BY: T.ZHAO		MATERIAL	
DATE: 09-22-2015		PROCESS/FINISH	
REFERENCE		THIRD ANGLE PROJECTION	
SIZE DWG NO		SHEET	
C		K56AC50F07CX	
		1	