



INFORMACIÓN DEL PRODUCTO

Modelo:K56AC49F07
1.5 HP, 1 Ph, 60 Hz, 110/220V, 3600 RPM,
Frame K56, ODP





Detalles de la Placa de Identificación

Fase	1	Potencia de Salida (HP)	1.5 HP
Potencia de Salida (kW)	1.1 kW	Voltaje	110/220V
Velocidad	3600 RPM	Factor de Servicio	1,15
Frame	K56	Tipo de Carcasa	Semiabierta (ODP)
Protección Térmica	No	Temperatura Ambiente	40° C
Frecuencia	60 Hz	Corriente full carga @110V	14.28 AMPS
Régimen de trabajo	Continuo	Clase de Aislamiento	Clase B
Certificación UL	Sí	Certificación CSA	Sí
Certificación CE	Sí		

Especificaciones Técnicas

Tipo	Eléctrico	Método de arranque	Eléctrico
Polos	2	Dirección de rotación	Ambos sentidos
Montaje	Base resiliente	Tipo de eje	Eje cuña

Información del producto: Modelo:K56AC49F07, 1.5 HP, 1 Ph, 60 Hz, 110/220V, 3600 RPM, Frame K56, ODP

4

3

2

1

D

D

C

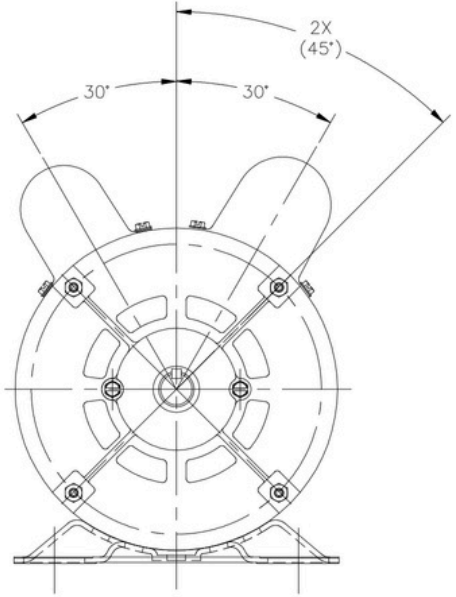
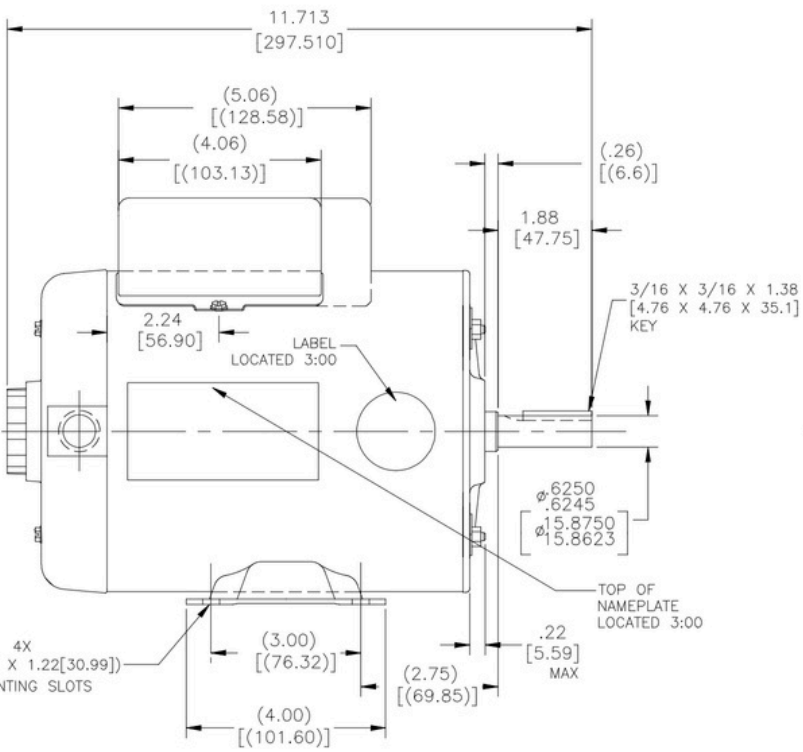
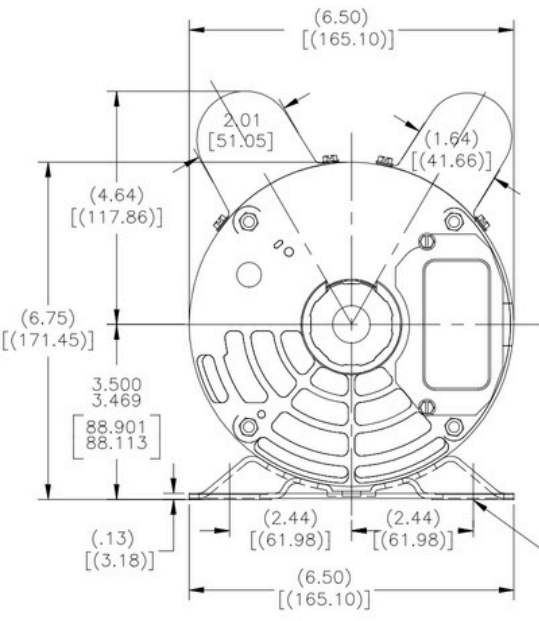
C

B

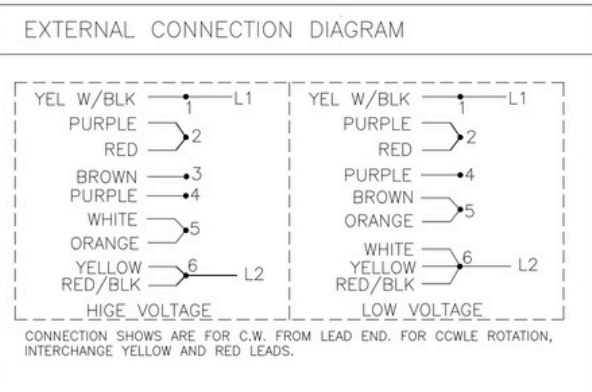
B

A

A



NAMEPLATE DATA	
MODEL: K56AC49F07	
CUST PN: ...	
HP: 1.5	SF: 1.15
ROT: REV.	
RPM: 3450	
TYPE: CP	CODE: -
FORM: KHH	FRAME: K56
VOLTS: 110-127/208-230	
AMPS: 14.28-16.06/7.06-7.59	
MAX AMPS: ---	
SF AMPS: 16.36-17.47/7.94-8.46	
PH: 1	HZ: 60
INS: F	AMB: 40
DUTY: CONT	
ENCLOSURE: IP21	
NO THERMALLY-PROTECTED	



NOTES

ALL DIMENSIONS SHOWN IN PARENTHESIS ARE REFERENCE DIMENSIONS. ALL OTHER DIMENSIONS ARE TOLERANCED PER THE FOLLOWING CHART UNLESS OTHERWISE SPECIFIED.

"C" DIM. = ±.055[1.397]
 SHAFT EXT. = ±.034[.864]
 LEAD LENGTHS EXTENDED = ±1.00[25.40]
 EXTENDED THURBOLTS = ±.050[1.270]

THE LEAD ASSY SHOULD TO COME CONNECTED AT 110V. IF THE CUSTOMER NEEDS TO SWITCH TO 220V, HE/SHE WILL OPEN THE COVER AND SWITCH IT MANUALLY, FOLLOWING THE ELECTRICAL DIAGRAM.

PERFORMANCE CURVE	APPROVED SAMPLE
	OER-007992
UL COMPONENT	CSA
FILE#	CCN#
---	---
CUSTOMER	RBM

DRAWING REVISION	REVISION BY	DATE	TOLERANCES UNLESS OTHERWISE SPECIFIED
E	MINJING.JIANG	09-26-2017	DEC. INCH mm ANGLE
ECO	APPROVED BY	DATE	.X ±0.1 [±2.5] ±0.5°
ECO-0131232	QINGFENG.HE	09-26-2017	.XX ±0.02 [±0.51]
ECO DESCRIPTION			.XXX ±0.005 [±0.127]
UPDATE EXTERNAL CONNECTION DIAGRAM			.XXXX ±0.0005 [±0.0127]
<p>COPYRIGHT REGAL BELLOIT AMERICA, INC. ALL RIGHTS RESERVED. PROPRIETARY AND CONFIDENTIAL INFORMATION - THIS DOCUMENT IS THE PROPERTY OF REGAL BELLOIT AMERICA, INC. ("OWNER") AND CONTAINS OWNER'S PROPRIETARY INFORMATION. ANY REPRODUCTION OR OTHER USE WITHOUT THE WRITTEN PERMISSION OF REGAL BELLOIT AMERICA, INC. IS STRICTLY PROHIBITED. BY RECEIVING IT, TO AGREE THAT IT, AND/OR ANY PART OF IT, SHALL NOT BE DISCLOSED TO ANY PERSON, CORPORATION OR OTHER ENTITY, DUPLICATED, AND/OR USED, EXCEPT AS EXPRESSLY APPROVED IN WRITING IN ADVANCE BY OWNER. THIS DOCUMENT SHALL BE RETURNED TO OWNER UPON REQUEST. IT MAY BE SUBJECT TO CUSTOMER RESTRICTIONS UNDER APPLICABLE EXPORT CONTROL LAWS AND REGULATIONS.</p>			

DRAWN BY:	XIAN	DATE:	09-17-2015
APPROVED BY:	T.ZHAO	DATE:	09-17-2015
REFERENCE:			
THIRD ANGLE PROJECTION		SIZE/DWG NO	C
Regal Beloit America, Inc.		DESCRIPTION	MODEL-PFHP-56FR OUTLINE
		MATERIAL	
		PROCESS/FINISH	
		REFERENCE	K56AC49F07CX
		SHEET	1

4

3

2

1