



INFORMACIÓN DEL PRODUCTO

Modelo:K48AA84F07
0.75 HP, 1 Ph, 60 Hz, 110/220V, 3600 RPM,
Frame K48, ODP





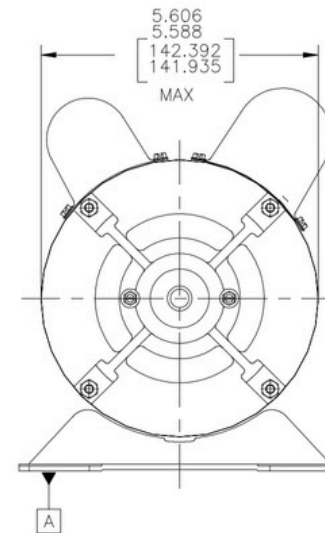
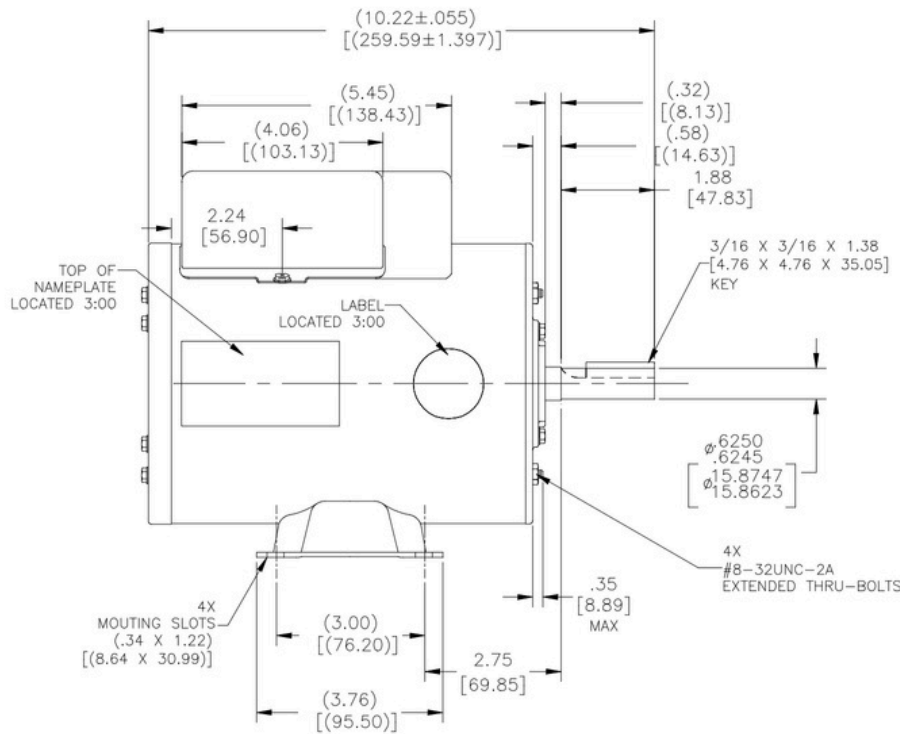
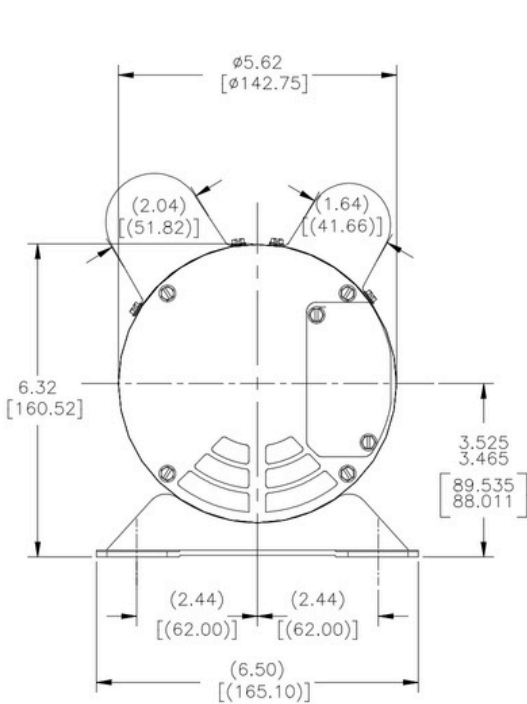
Detalles de la Placa de Identificación

Fase	1	Potencia de Salida (HP)	0.75 HP
Potencia de Salida (kW)	0.5 kW	Voltaje	110/220V
Velocidad	3600 RPM	Factor de Servicio	1,25
Frame	K48	Tipo de Carcasa	Semiabierta (ODP)
Protección Térmica	No	Temperatura Ambiente	40° C
Frecuencia	60 Hz	Corriente full carga @110V	8.53 AMPS
Régimen de trabajo	Continuo	Clase de Aislamiento	Clase B
Certificación UL	Sí	Certificación CSA	Sí
Certificación CE	Sí		

Especificaciones Técnicas

Tipo	Eléctrico	Método de arranque	Eléctrico
Polos	2	Dirección de rotación	Ambos sentidos
Montaje	Base resiliente	Tipo de eje	Eje cuña

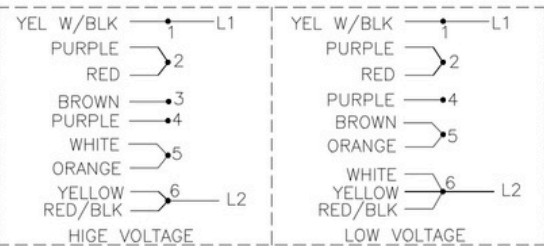
Información del producto: Modelo:K48AA84F07, 0.75 HP, 1 Ph, 60 Hz, 110/220V, 3600 RPM, Frame K48, ODP



NAMEPLATE DATA

MODEL: K48AA84F07
 CUST PN: ----
 HP: 3/4HP
 SF: 1.25
 ROT: REV
 RPM: 3450
 TYPE: CP
 CODE: --
 FRAME: K48
 VOLTS: 110-127/208-230
 AMPS: 8.53-9.26/3.87-4.33
 MAX AMPS: ----
 PH: 1
 HZ: 60
 INS: F
 AMB: 40
 DUTY: CONT

EXTERNAL CONNECTION DIAGRAM



CONNECTION SHOWS ARE FOR C.W. FROM LEAD END. FOR CCWLE ROTATION, INTERCHANGE YELLOW AND RED LEADS.

NOTES

1. SHAFT RUNOUT NOT TO EXCEED .002[.051] T.I.R
2. THE LEAD ASSY SHOULD TO COME CONNECTED AT 110V. IF THE CUSTOMER NEEDS TO SWITCH TO 220V, HE/SHE WILL OPEN THE COVER AND SWITCH IT MANUALLY, FOLLOWING THE ELECTRICAL DIAGRAM.

PERFORMANCE CURVE

APPROVED SAMPLE

OER-7986

UL COMPONENT

CSA

FILE# CCN# FILE# GUIDE#

CUSTOMER RBM

DRAWING REVISION	REVISION BY	DATE	TOLERANCES UNLESS OTHERWISE SPECIFIED	DRAWN BY
G	CHENG, SHEN	10-27-2017	DEC. INCH mm ANGLE	X,AN
ECO-0132679	APPROVED BY	DATE	.X ±0.1 [±2.5] ±0.5°	DATE
	TRISTA, ZHAO	10-27-2017	.XX ±0.02 [±0.51]	09-24-2015
ECO DESCRIPTION			.XXX ±0.005 [±0.127]	APPROVED BY:
REMOVE DUST COVER			.XXXX ±0.0005 [±0.0127]	T,ZHAO
<small>COPYRIGHT REGAL BELOIT AMERICA, INC. ALL RIGHTS RESERVED. PROPRIETARY AND CONFIDENTIAL INFORMATION - THIS DOCUMENT IS THE PROPERTY OF REGAL BELOIT AMERICA, INC. (OWNER) AND CONTAINS OWNER'S PROPRIETARY INFORMATION. ANY REPRODUCTION OR OTHER FIRM RECEIVING IT IS DENIED BY RECEIVING IT. TO AGREE THAT IS, AND/OR ANY PART OF IT, SHALL NOT BE DISCLOSED TO ANY PERSON, CORPORATION OR OTHER ENTITY, DUPLICATED AND/OR USED, SOLELY AS EXPRESSLY APPROVED IN WRITING IN ADVANCE BY OWNER. THIS DOCUMENT SHALL BE RETURNED TO OWNER UPON REQUEST. IT MAY BE SUBJECT TO CERTAIN RESTRICTIONS UNDER APPLICABLE EXPORT CONTROL LAWS AND REGULATIONS.</small>			REMOVE BURRS & BREAK SHARP EDGES .003/.015 [0.076/.381] CORNER FILLETS .02 [.51] MACHINED SURFACES .25/32 mm SHOWN IN [BRACKETS]	DATE: 09-24-2015 REFERENCE:

Regal Beloit America, Inc.

MODEL-PFHP-48FR OUTLINE

MATERIAL PROCESS/FINISH

SIZE DWG NO K48AA84F07CX SHEET 1