



## INFORMACIÓN DEL PRODUCTO

Modelo:K48AA83F07CX  
0.5 HP, 1 Ph, 60 Hz, 110/220V, 3600 RPM,  
Frame K48, DP





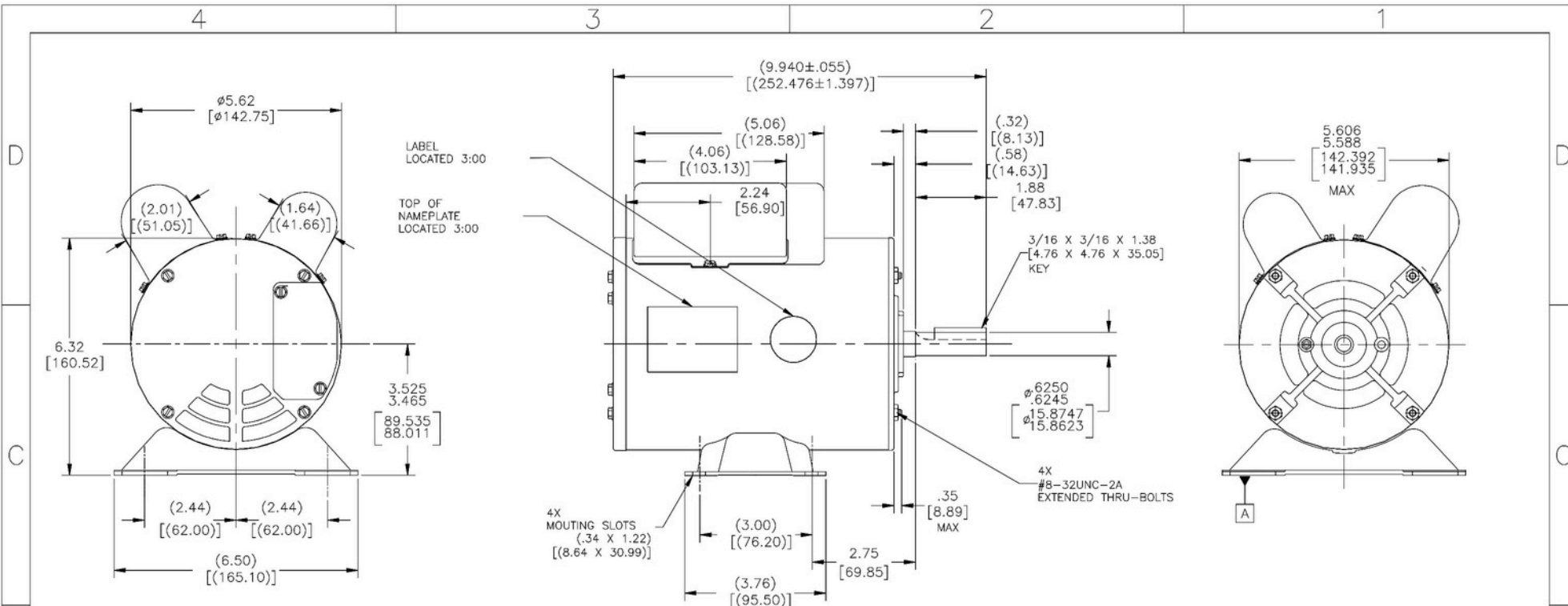
## Detalles de la Placa de Identificación

Fase	1	Potencia de Salida (HP)	0.5 HP
Potencia de Salida (kW)	0.37 kW	Voltaje	110/220V
Velocidad	3600 RPM	Factor de Servicio	1,25
Frame	K48	Tipo de Carcasa	Semiabierta (ODP)
Protección Térmica	No	Temperatura Ambiente	40° C
Frecuencia	60 HZ	Corriente full carga @110V	5.89 AMPS
Régimen de trabajo	Continuo	Clase de Aislamiento	Clase B
Certificación UL	SÍ	Certificación CSA	SÍ
Certificación CE	SÍ		

## Especificaciones Técnicas

Tipo	Eléctrico	Método de arranque	Eléctrico
Polos	2	Dirección de rotación	Ambos sentidos
Montaje	Base resiliente	Tipo de eje	Eje cuña

Información del producto: Modelo:K48AA83F07, 0.5 HP, 1 Ph, 60 Hz, 110/220V, 3600 RPM, Frame K48, DP



NAMEPLATE DATA	EXTERNAL CONNECTION DIAGRAM	NOTES
MODEL: K48AA83F07 CUST PN: --- HP: 1/2HP SF: 1.25 ROT: REV RPM: 3450 TYPE: CP CODE: -- FRAME: K48 VOLTS: 110-127/208-230 AMPS: 5.89-6.80/2.71-3.06 MAX AMPS: --- PH: 1 HZ: 60 INS: F AMB: 40 DUTY: CONT	<p>CONNECTION SHOWS ARE FOR C.W. FROM LEAD END. FOR CCWLE ROTATION, INTERCHANGE YELLOW AND RED LEADS.</p>	<ol style="list-style-type: none"> <li>SHAFT RUNOUT NOT TO EXCEED .002[.051] T.I.R</li> <li>THE LEAD ASSY SHOULD TO COME CONNECTED AT 110V. IF THE CUSTOMER NEEDS TO SWITCH TO 220V, HE/SHE WILL OPEN THE COVER AND SWITCH IT MANUALLY, FOLLOWING THE ELECTRICAL DIAGRAM.</li> </ol>

PERFORMANCE CURVE	APPROVED SAMPLE		
---	OER-7981		
UL COMPONENT	CSA		
FILE#	CCN#	FILE#	GUIDE#
---	---	---	---
CUSTOMER	RBM		

DRAWING REVISION	REVISION BY	DATE	TOLERANCES UNLESS OTHERWISE SPECIFIED	DRAWN BY:	Regal Beloit America, Inc.
F	CHENG, SHEN	10-27-2017	DEC. INCH	Y.LIU	
ECD-0132679	APPROVED BY	DATE	.XX ±0.1 [±2.5]	DATE:	09-15-2015
	TRISTA, ZHAO	10-27-2017	.XXX ±0.02 [±0.51]	APPROVED BY:	T.ZHAO
ECD DESCRIPTION			.XXXX ±0.005 [±0.127]	DATE:	09-15-2015
REMOVE DUST, COVER			REMOVE BURRS & BREAK SHARP EDGES .003/015 [076/381]	REFERENCE	
<small>                             COPYRIGHT REGAL BELLOIT AMERICA, INC. ALL RIGHTS RESERVED. PROPRIETARY AND CONFIDENTIAL INFORMATION - THIS DOCUMENT IS THE PROPERTY OF REGAL BELLOIT AMERICA, INC. (OWNER) AND CONTAINS OWNER'S PROPRIETARY INFORMATION. ANY REPRODUCTION OR OTHER PARTY'S SUPPLYING AND/OR USING PARTS BY RECEIVING IT, TO AGREE THAT IF AND/OR ANY PART OF IT SHALL NOT BE DISCLOSED TO ANY PERSON, CORPORATION OR OTHER ENTITY, SUPPLIER, AND/OR OTHER PARTY AS EXPRESSLY APPROVED IN WRITING BY OWNER. THIS DOCUMENT SHALL BE RETURNED TO OWNER UPON REQUEST. IT MAY BE SUBJECT TO OTHER RESTRICTIONS UNDER APPLICABLE EXPORT CONTROL LAWS AND REGULATIONS.                         </small>			MACHINED SURFACES INCH/mm mm SHOWN IN BRACKETS	MATERIAL SIZE DWG NO K48AA83F07CX	PROCESS/FINISH SHEET 1